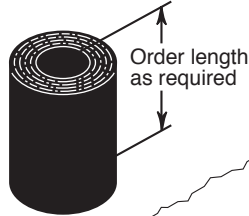
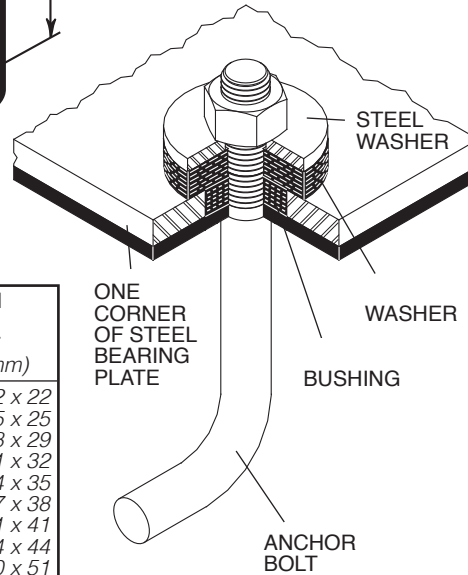
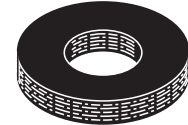




**NEOPRENE
IMPREGNATED
DUCK BUSHINGS**



**NEOPRENE
IMPREGNATED
DUCK WASHERS**



DIMENSIONS

Type	Nominal Size & Bolt Dia. (in) (mm)	Standard Bushing ID x OD* (in) (mm)
HRB-	3/8 10	13/32 x 7/8 12 x 22
	1/2 13	17/32 x 1 15 x 25
	5/8 16	21/32 x 1 1/8 18 x 29
	3/4 19	25/32 x 1 1/4 21 x 32
	7/8 22	29/32 x 1 3/8 24 x 35
	1 25	11/32 x 1 1/2 27 x 38
	1 1/8 29	15/32 x 1 5/8 31 x 41
	1 1/4 32	19/32 x 1 3/4 34 x 44
	1 1/2 38	117/32 x 2 40 x 51
	1 3/4 44	125/32 x 2 1/4 46 x 57
	2 51	21/32 x 2 1/2 53 x 64

DIMENSIONS AND RATINGS

Type	Nominal Size & Bolt Dia. (in) (mm)	Washer Size ID x OD (in) (mm)	Max. Load Ratings (psi)(kg/cm ²)
HRW-	3/8 10	7/16 x 1 11 x 25	1000 70
	1/2 13	9/16 x 1 3/8 14 x 35	
	5/8 16	11/16 x 1 3/4 17 x 44	
	3/4 19	13/16 x 2 21 x 51	
	7/8 22	15/16 x 2 1/4 24 x 57	
	1 25	11/16 x 2 1/2 27 x 64	
	1 1/8 29	11/4 x 2 3/4 32 x 70	
	1 1/4 32	1 3/8 x 3 35 x 76	
	1 1/2 38	1 5/8 x 3 1/2 41 x 89	
	1 3/4 44	1 7/8 x 4 48 x 102	
	2 51	2 1/8 x 4 1/2 54 x 114	

Custom sizes and thicknesses as needed.

HANNA RUBBER COMPANY
 908 West 25th Street
 Kansas City, MO 64108
 816-221-9600
 www.hannarubber.com